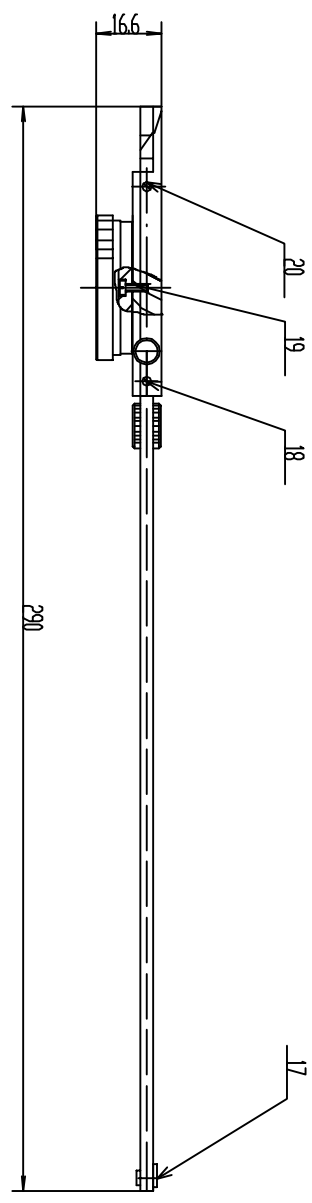
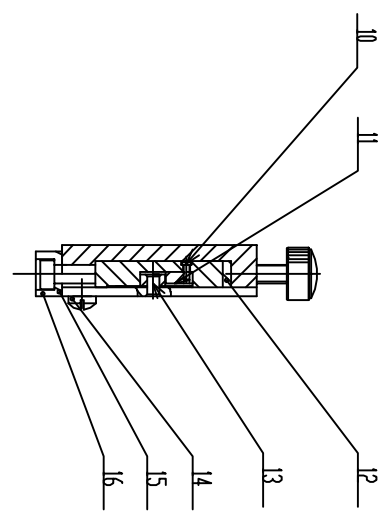
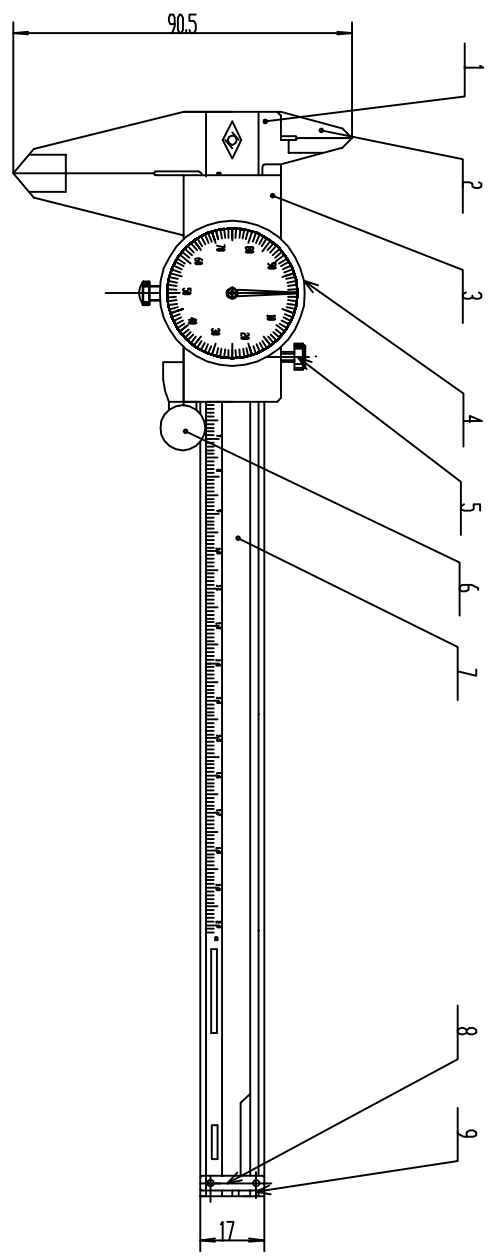


Dial caliper



20	Flat fixing screw M2.5x3.3	1		
19	Screw M2 x5.5	3		
18	Round fixing screw M2.5x2.8	1		
17	Stopping plate	1		
16	Hand wheel screw M2.5 6	1		
15	Hand wheel holder	1		
14	Screw M2 x3	3		
13	Rivet 1.6 3.5	1		
12	Insert	1		
11	Rack	1		
10	Fixing screw	5		
9	Stopping plate screw M1.6x5.8	2		
8	Stopping plate	1		
7	Depth pole	1		
6	Hand wheel	1		
5	Locking screw	1		
4	Dial Indicator	1		
3	Cover	1		
2	Vernier body	1		
1	Main body	1		
No.	Part Name	Qty		