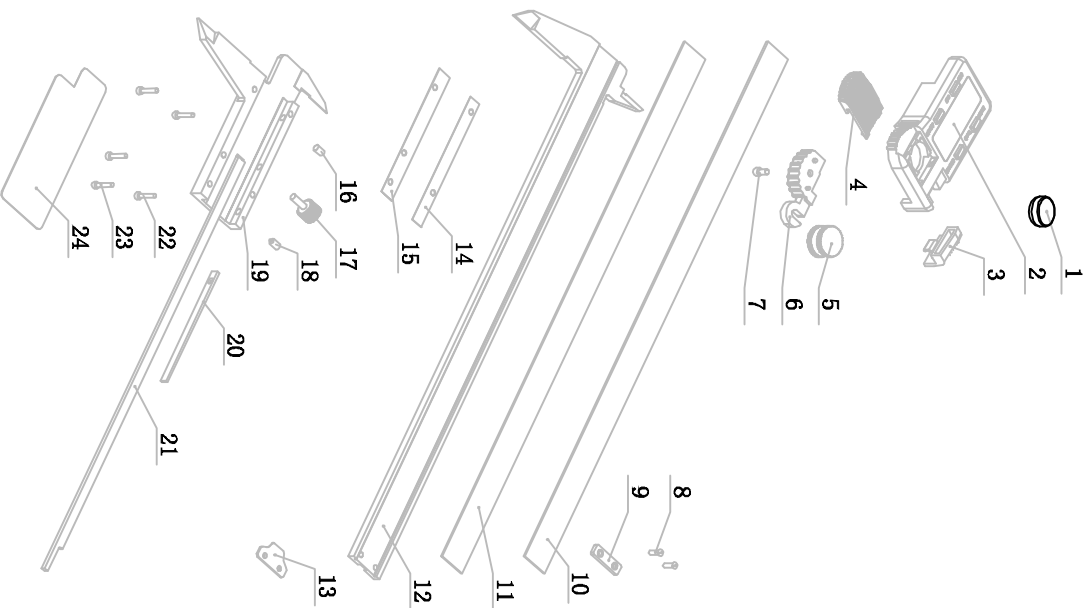


Digital caliper



No.	Part Name	Qty.
24	Thread table with ASIMETO	1
23	Cross head screw M2x9	1
22	Cross head screw ST2x9	4
21	Depth pole	1
20	Spring plate	1
19	Vernier body	1
18	Fixing screw	1
17	Locking screw	1
16	Flat fixing screw M2.5x2.5	1
15	Lower insert	1
14	Upper insert	1
13	Lower stopping plate	1
12	Main body	1
11	Electrical strip	1
10	Scale	1
9	Upper stopping plate	1
8	Stopping plate screw M1.6x5	2
7	Hand wheel flat screw m2x4	1
6	Hand wheel holder	1
5	Hand wheel	1
4	Battery cover	1
3	Data output	1
2	Digital component	1
1	Battery	1