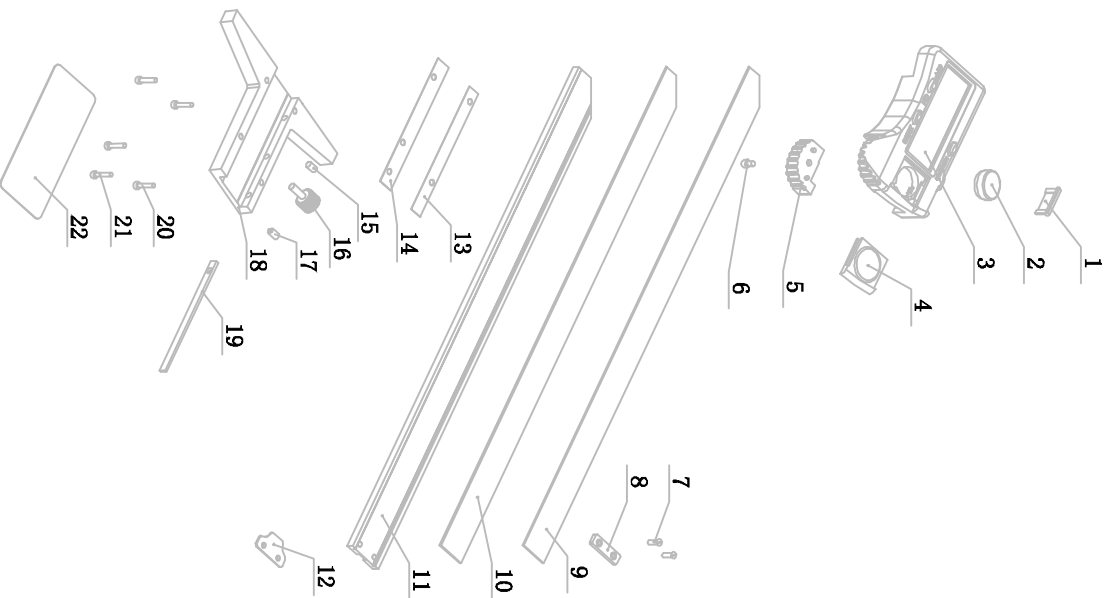


Fig. depth caliper



22	Thread table	1	
21	Cross head screw M2x9	1	
20	Cross head screw SSSR2X9	4	
19	Spring plate	1	
18	Vernier body	1	
17	Fixing screw	1	
16	Locking screw	1	
15	Flat fixing screw M2.5x2.5	1	
14	Lower insert(0.1或0.5)	1	
13	Upper insert(0.1或0.5)	1	
12	Lower stopping plate	1	
11	Main body	1	
10	Electrical strip	1	
9	Scale	1	
8	Upper stopping plate	1	
7	Stopping plate screw M1.6x5	2	
6	Hand grip screw M2x4	1	
5	Hand grip	1	
4	Battery cover	1	
3	Digital component	1	
2	Battery	1	
1	Data output	1	
No.	Part Name	Qty.	