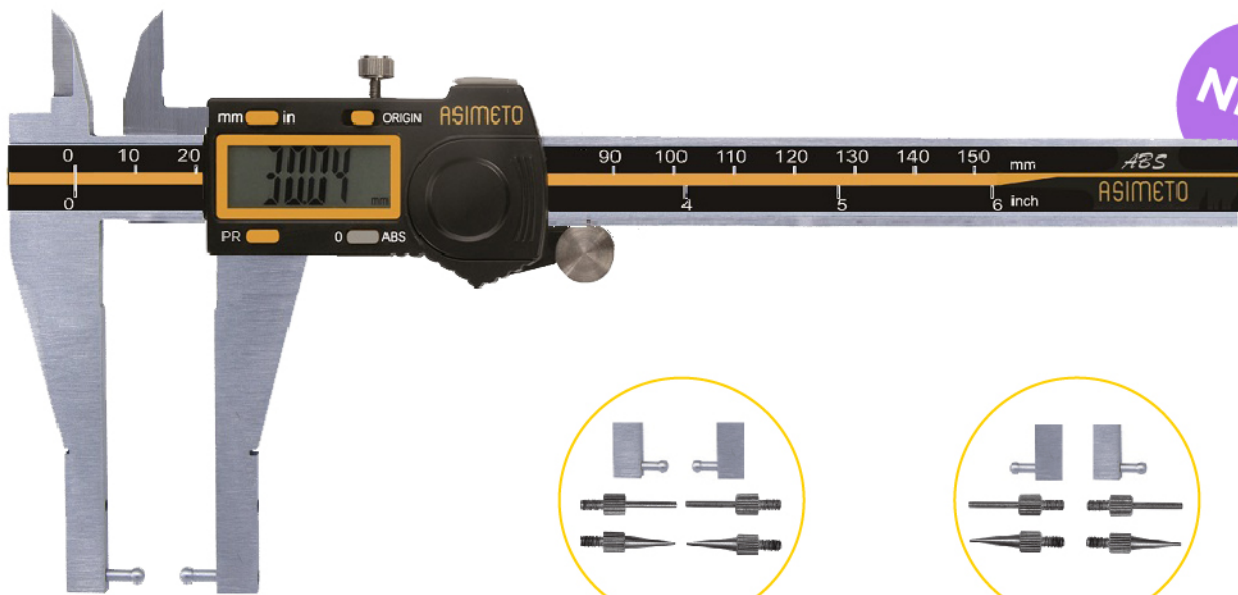


Series 318 Multi-function Digital Calipers



Probes for external dimensions

Probes for internal dimensions

INTRODUCTION

- Measure outer diameter and inner diameter in the same way as ordinary digital calipers
- Can measure the outer groove or inner groove size by changing the exchangeable probe
- With preset value function, the initial value can be set arbitrarily

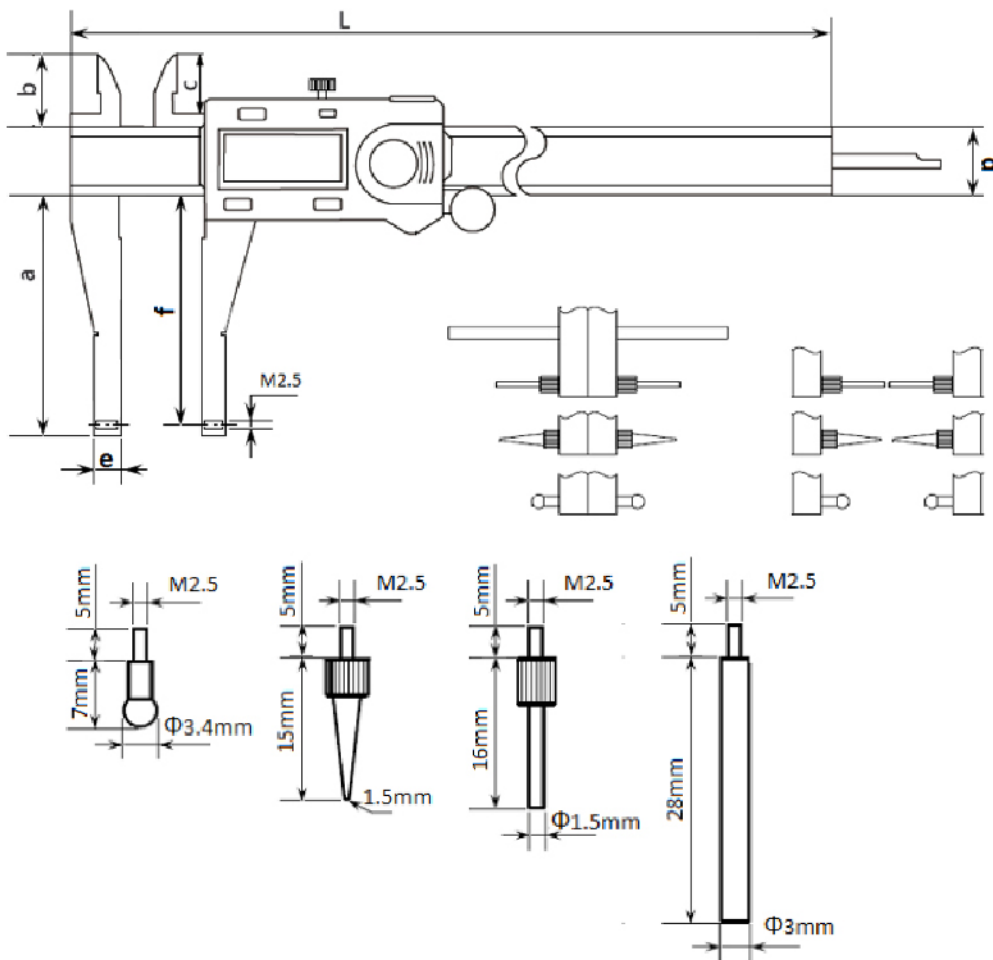
FEATURES

- Resolution: .0005" / 0.01mm
- ABS system delivery reliable measurement With preset value function, the initial value can be set arbitrarily
- Zero-setting at any position for incremental measurement
- Inch/Metric conversion
- Support data output
- With three shape probes

SPECIFICATIONS

Inch		Metric		With Thumb Wheel	W/O Thumb Wheel
Range	Accuracy	Range	Accuracy	Code No.	Code No.
0-6"	± .0015"	0-150mm	± 0.03mm	318-06-3	318-06-2
0-8"	± .0015"	0-200mm	± 0.03mm	318-08-3	318-08-2
0-12"	± .002"	0-300mm	± 0.04mm	318-12-3	318-12-2

DIMENSION



Range	L	a	b	c	d	e	f
Inch/Metric	mm	mm	mm	mm	mm	mm	mm
0-6"/0-150mm	235	67.2	22.55	18	16	7.5	64.2
0-8"/0-200mm	287	67.2	22.55	18	16	7.5	64.2
0-12"/0-300mm	390	67.2	22.55	18	16	7.5	64.2